

Displaytech Ltd.

Website: www.displaytech.com.hk

LCD Module Product Specification

**Product: INT035TFT & INT035TFT-TS
3.5" Integrated TFT Display Module
(320RGBx240DOTS)**

Contents in this document are subject to change without notice. No part of this document may be reproduced or transmitted in any form or by any means, electronic or mechanical, for any purpose, without the express written permission of Displaytech Ltd.

28 September 2011.

1. REVISION RECORD

VERSION	CHANGES	DATE
1.0	Initial revision	28 September 2011

Table of Content

1. REVISION RECORD.....	1
2. Introduction	3
3. Features	3
4. General Specifications	4
5. Mechanical Drawing.....	5
6. Interface Description	7
7. Absolute Maximum Ratings.....	8
8. Electrical Characteristics	8
9. Display and Touch Screen Controller /Power Supply Timing.....	8
10. Backlight specification.....	9
11. Optical Characteristics	9
12. Safety Precaution	12

2. Introduction

INT035TFT and *INT035TFT-TS* are integrated display module based upon a TFT display with a 240 x 320 RGB resolution. The TFT module is mounted on a PCB on which is mounted a Solomon SSD1963 controller with integrated touch screen control and PWM driving circuit for the LED backlight. The TFT module is automatically initialised upon power up by an on-board controller circuit.

3. Features

- 8080/6800 MCU Interface (1)
- Built-in 1215K bytes frame buffer. Support up to 864 x 480 at 24bpp display
- Deep sleep mode for power saving
- Screen display rotation
- Display vertical scrolling
- Display mirroring
- Programmable contrast and saturation control
- Auto initialisation (2)
- Embedded 4-Wires Touch Panel Controller
- Embedded PWM control and LED driving circuit for backlight

Remarks:

- (1) MCU Interface is selected by soldering option as below.
 - **8080 interface** (Default setting): R4 is with 0 ohm resistor / R19 is opened.
 - **6800 interface** (By request): R19 is with 0 ohm resistor / R4 is opened.
 - 8/9/16/18-bit MCU interface are available.
- (2) "Auto Initialisation" takes around half second to complete, customer is suggested to add an one second delay at the beginning of their program.

4. General Specifications

Item	Specification	Unit
LCD mode	Transmissive	---
Resolution	320(RGB)	Line
	240	Line
Diagonal Size	3.5	Inch
Overall Size	87.00	mm
	66.00	mm
Active area	70.08	mm
	52.56	mm
Optimum Viewing Direction	12 o'clock	---
Controller Driver IC	Solomon SSD1963; MAX11802 (Touch screen)	---
Interface type	8080/6800 with 8/9/16/18 Data Bus Width (1)	---
Colours	16.7M	---
Operation temperature range (INT035TFT)	-20~70	°C
Storage temperature range (INT035TFT)	-30~80	°C
Operation temperature range (INT035TFT-TS)	-10~60	°C
Storage temperature range (INT035TFT-TS)	-20~70	°C

Remarks:

- (1) MCU Interface is selected by soldering option as below.
 - **8080 interface** (Default setting): R4 is with 0 ohm resistor / R19 is opened.
 - **6800 interface** (By request): R19 is with 0 ohm resistor / R4 is opened.
 - 8/9/16/18-bit MCU interface are available.
 - Maxim MAX11802 is with SPI interface.
- (2) Color tune may be changed slightly by temperature and driving voltage.
- (3) RoHS compliant.

Component Life Cycle

- 1) Storage Life: min. 1 Year
- 2) Operation Life (*1): min. 43 x 10³ h (24hr/day x 7days/week x 52weeks/year x 5years)
(Not include backlight)
- 3) Storage and Operation Life Times are defined for a temperature of +25°C

Notes:

- *1. Operation life ends when one of the listed faults occurs:
- The on/off response-times reach 1.5 times of the max. value specified for a new display
 - The contrast is reduced to 0.5 of the original contrast value
 - Loss of function
 - The number of cosmetic defects exceeds the maximum defined

5. Mechanical Drawing

- INT035TFT

A	B	C	D	E	F	G	H
8	7	6	5	4	3	2	1

CIRCUIT DIAGRAM:
CONSTANT CURRENT I=20mA, Vf=19.2V±0.3V

REMARK:

- VCC: 3.3V±5%
- MAIN LCD: 3.5" TFT, TRANSMISSIVE, POSITIVE, Top: -20°C TO 70°C, Tstg: -30°C TO 80°C, 12 0'CLOCK
- MAIN LCD DRIVE IC: NT39016D
- CONTROLLER IC: SSD1963
- BACKLIGHT: COLOR: WHITE, Vf(TYP): 19.2V±0.3V, If: 20mA, NO.OF SMD LED: 6PCS
- RoHS COMPLIANCE

PIN ASSIGNMENT:

1	2	3	4	5	6	7	8	9	10	11	12	13	14	15	16	17	18	19	20		
GND	VDDIO	VDDO	VDDCO	GND	IP	AUXTP	IROTP	DM	IP	CLK	IP	CS	GND	CS	RS	E/RD	RW/R	RESET	GND	DATA00	DATA01
21	22	23	24	25	26	27	28	29	30	31	32	33	34	35	36	37	38	39	40		
DATA02	DATA03	DATA04	DATA05	DATA06	DATA07	DATA08	DATA09	DATA10	DATA11	DATA12	DATA13	DATA14	DATA15	DATA16	DATA17	PWM	NC	BL+	BL-		

4	CONNECTOR	LEOCO P/N:0514S45DT1T
3	SMD COMPONENT	
2	TFT LCD	WHITE BACKLIGHT
1	PCB	FR4/0.80mmT
NO	DESCRIPTION	MATERIAL
GENERAL TOLERANCE:		NOFF
DO NOT SCALE DRAWING TITLE:		REV:
DRK: -X ±0.30	DATE:	B
LINEAR -XY ±0.30	NBL: 04 JUN 11	
ANGULAR - ±1/2	CHK:	
ALL DIMENSIONS ARE IN METRIC UNLESS OTHERWISE SPECIFIED		MODEL: AG56G
SCALE: 1/1 OR NOTED	DATE:	AG56G Bos1
1/1 OR NOTED	REFER NOTE	REFER NOTE
DISPLAYTECH LTD.		
		SH 1 OF 1
		A3

6. Interface Description

Pin no	Symbol	I/O	Description
1	GND	---	Power ground 0V
2	VDDIO	---	Power supply for digital I/O pads
3	VDDD	---	Power supply for internal digital circuit
4	VDDLCD	---	Power supply for LCD interface related pads
5	GND	---	Power ground 0V
6	TP_AUX	I	Auxiliary Input: Analog input that used to monitor external conditions such as battery voltage or temperature. (INT035TFT-TS only: for MAX11802)
7	TP_TIRQ	O	Active-Low Touch Interrupt Output: Active-low interrupt, indicating that a touch is present (CINT) or has been initiated (EINT) in DCM, or that new data is available in the FIFO in ACM. (INT035TFT-TS only: for MAX11802)
8	TP_DIN	I	SPI Serial Data Input. (INT035TFT-TS only: for MAX11802)
9	TP_CLK	I	SPI Serial Data Clock Input. (INT035TFT-TS only: for MAX11802)
10	TP_DOUT	I	SPI Data Output. (INT035TFT-TS only: for MAX11802)
11	TP_CS	I	SPI Chip-Select Input. (INT035TFT-TS only: for MAX11802)
12	GND	---	Power ground 0V
13	/CS	I	Chip select (for Controller SSD1963)
14	/RS	I	Data/Command select
15	E(/RD)	I	6800 mode: E (enable signal) 8080 mode: /RD (read strobe signal)
16	R/W(/WR)	I	6800 mode: R/W 0: Write cycle 1: Read cycle 8080 mode: /WR (write strobe signal)
17	/RESET	I	Master synchronize reset
18	GND	---	Power ground 0V
19 36	DATA00 DATA17	I/O	Data bus. Pins not used should be floating
37	NC (PWM)	---	No connection
38	NC	---	No connection
39	NC (BL+)	---	No connection
40	NC (BL-)	---	No connection

7. Absolute Maximum Ratings

(GND=VSS=0V; Ta=25°C)

Item	Symbol	Min.	Max.	Unit
I/O power supply	VDDIO	-0.5	4.6	V
Digital Core power supply	VDDD	-0.5	1.8	V
LCD Interface power supply	VDDLCD	-0.5	4.6	V
Input Voltage	VIN	-0.5	4.6	V
Output Voltage	VOUT	-0.5	4.6	V
Operating Temperature (INT035TFT)	TOP	-20	+70	°C
Storage Temperature (INT035TFT)	TST	-30	+80	°C
Operating Temperature (INT035TFT-TS)	TOP	-10	+60	°C
Storage Temperature (INT035TFT-TS)	TST	-20	+70	°C

Note:

- When temperature is below 0°C, the response time of liquid crystal (LC) will be slower and the color of panel will be darker.
- If module driving condition exceeds the absolute maximum ratings, permanent damaged may be resulted. If module is driven within the absolute maximum ratings but exceeded the DC characteristics, mal-function may be resulted.
- VDD/VCC > VSS

8. Electrical Characteristics

DC Characteristics

(GND=VSS=0V; Ta=25°C)

Item	Symbol	Min.	Typ.	Max.	Unit
I/O power supply	VDDIO	3.135	3.3	3.465	V
Digital Core power supply	VDDD	1.08	1.2	1.32	V
LCD Interface power supply	VDDLCD	1.65	3.3	3.6	V
Input signal voltage	Low level	VIL	---	---	0.2VDDIO
	High level	VIH	0.8VDDIO	---	VDDIO + 0.5
Output signal voltage	Low level	VOL	---	---	0.2VDDIO
	High level	VOH	0.8VDDIO	---	V

9. Display and Touch Screen Controller /Power Supply Timing

See Display and Touch Screen Controller Specification: Solomon SSD1963 & Maxim MAX11802

10.Backlight specification

(Vcc=3.3V, Vss=0V, Ta=25°C)

Item	Symbol	Condition	Min	Typ	Max	Unit	Note
Supply voltage	Vf	If=20mA	18.0	19.2	20.4	V	1
Forward current	If		---	---	20	mA	2
Uniformity	ΔBp	If=20mA	70	---	---	%	
Color coordination	X		0.275	---	0.315	---	
	Y		0.275	---	0.315	---	

LED circuit diagram:



Constant current If=20mA; Vf=19.2V(typ)

Note:

- 1) The LED's driver mode needs to be constant current mode.
- 2) Permanent damage to the device may occur if maximum values are exceeded. Functional operation should be restricted to the conditions described under normal operating conditions.

11.Optical Characteristics

(Vcc=3.3V, Vss=0V, Ta=25°C)

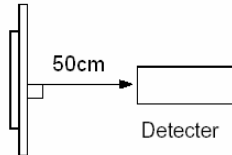
Item	Symbol	Condition	Min	Typ	Max	Unit	Note
Brightness	Bp	θ=0°	220	---	---	cd/m ²	1
Uniformity	ΔBp	Φ=0°	70	---	---	%	1, 2
Viewing Angle	θ1 (Φ=90° or 270°)	Cr≥10	-50 ~ 45			deg	3
	θ2 (Φ=0° or 180°)		-60 ~ 60				
Contrast ratio	Cr	θ=0°	---	400	---	---	4
Response Time	Tr	Φ=0°	---	20	30	ms	5
	Tf						
CIE (x,y) Chromaticity	White	x	0.231	0.281	0.331	---	1, 6
		y	0.266	0.316	0.366		
	Red	x	0.531	0.581	0.631		
		y	0.264	0.314	0.364		
	Green	x	0.284	0.334	0.384		
		y	0.536	0.586	0.636		
	Blue	x	0.097	0.147	0.197		
		y	0.052	0.102	0.152		
NTSC Ratio	S		---	50	---	%	

Note 1: The data are measured after LEDs are turned on for 5 minutes. LCM displays full white.
The brightness is the average value of 9 measured spots. Measurement equipment PR-705 (Φ8mm)

Measuring condition:

- Measuring surroundings: Dark room.
- Measuring temperature: $T_a=25^{\circ}\text{C}$.
- Adjust operating voltage to get optimum contrast at the center of the display.

Measured value at the center point of LCD panel after more than 5 minutes while backlight turning on.

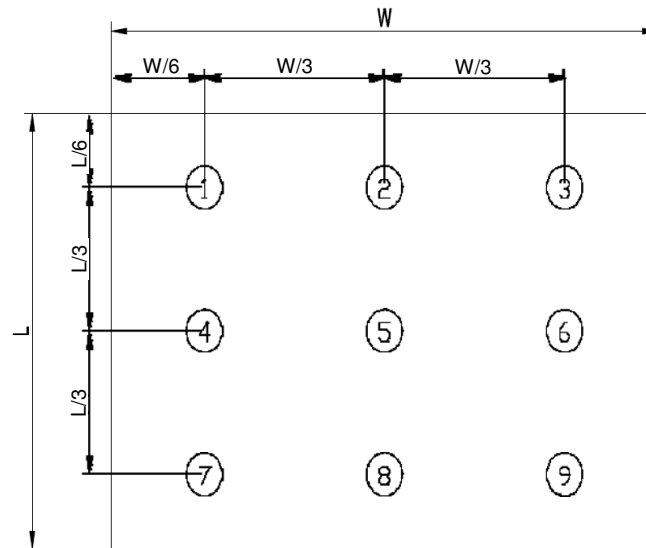


Note 2: The luminance uniformity is calculated by using following formula.

$$\Delta B_p = B_p (\text{Min.}) / B_p (\text{Max.}) \times 100 (\%)$$

$B_p (\text{Max.})$ = Maximum brightness in 9 measured spots

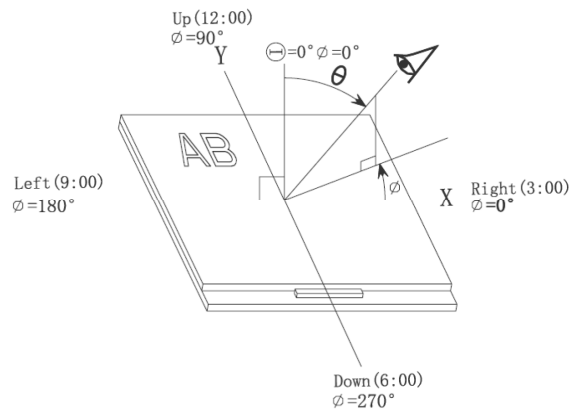
$B_p (\text{Min.})$ = Minimum brightness in 9 measured spots.



Measurement equipment PR-705 (Φ8mm)

Note 3: The definition of viewing angle:

Refer to the graph below marked by θ and Φ



Note 4: The definition of contrast ratio (Test LCM using PR-705):

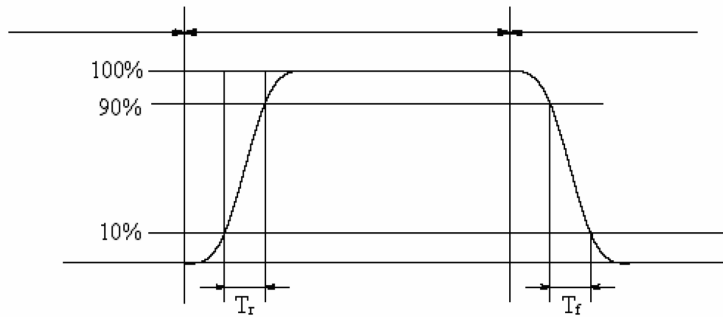
$$\text{Contrast Ratio (CR)} = \frac{\text{Luminance When LCD is at "White" state}}{\text{Luminance When LCD is at "Black" state}}$$

(Contrast Ratio is measured in optimum common electrode voltage)

Note 5: Definition of Response time. (Test LCD using DMS501):

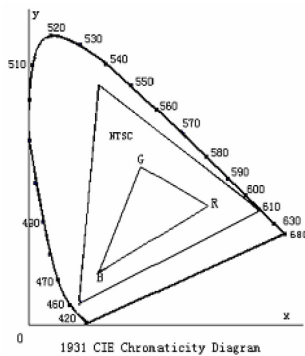
The output signals of photo detector are measured when the input signals are changed from "black" to "white" (falling time) and from "white" to "black" (rising time), respectively.

The response time is defined as the time interval between the 10% and 90% of amplitudes. Refer to figure as below.



The definition of response time

Note 6: Definition of Color of CIE Coordinate and NTSC Ratio.



Color gamut:

$$S = \frac{\text{area of RGB triangle}}{\text{area of NTSC triangle}} \times 100\%$$

12. Safety Precaution

Handling precautions:

- This device is susceptible to Electro-Static Discharge (ESD) damage. Observe Anti-Static precautions.

Power supply precautions:

- Identify and, at all times, observe absolute maximum ratings for both logic and LC drivers. Note that there is some variance between models.
- Prevent the application of reverse polarity to VCC and GND, however briefly.
- Use a clean power source free from transients. Power up conditions are occasionally “jolting” and may exceed the maximum ratings of the modules.
- The VCC power of the module should also supply the power to all devices that may access the display. Don't allow the data bus to be driven when the logic supply to the module is turned off.

Operating precautions:

- DO NOT plug or unplug the module when the system is powered up.
- Minimize the cable length between the module and host MPU.
- Operate the module within the limits of the modules temperature specifications.

Mechanical/Environmental precautions:

- Improper soldering is the major cause of module difficulty. Use of flux cleaner is not recommended as they may seep under the elastomeric connection and cause display failure.
- Mount the module so that it is free from torque and mechanical stress.
- Surface of the LCD panel should not be touched or scratched. The display front surface is an easily scratched, plastic polarizer. Avoid contact and clean only when necessary with soft, absorbent cotton dampened with petroleum benzene.
- Always employ anti-static procedure while handling the module.
- Prevent moisture build-up upon the module and observe the environmental constraints for storage temperature and humidity.
- Do not store in direct sunlight
- If leakage of the liquid crystal material should occur, avoid contact with this material, particularly ingestion. If the body or clothing becomes contaminated by the liquid crystal material, wash thoroughly with water and soap